

A low-angle, upward-looking photograph of a modern building's facade. The building features a grid of windows, each with horizontal blinds installed. The blinds are partially open, allowing some light to pass through. The sky is blue with some light clouds. The overall aesthetic is clean and architectural.

Blinds Type S 80

THE STANDARD SUN-SHADING SOLUTION FOR AN EXCELLENT PRICE

Blinds Type S 80

Trapezoidal S80 slats are attached to a textile ladder and lifting strap, which enable the slats to rotate around their axes, and also serve to raise and lower them.

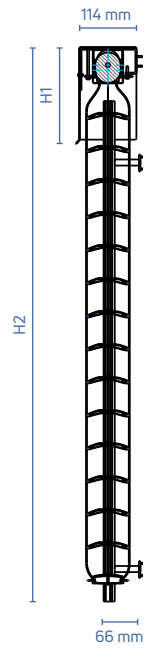
Aluminium guide rails are 18/24 mm in dimensions and are padded with rubber to ensure virtually soundless movement. Guide rails are mounted onto the window frame using spacers.

In case the blinds are not to be integrated into the façade, we recommend using a 1.5 mm aluminium powder coated cover panel to cover the folded blinds.

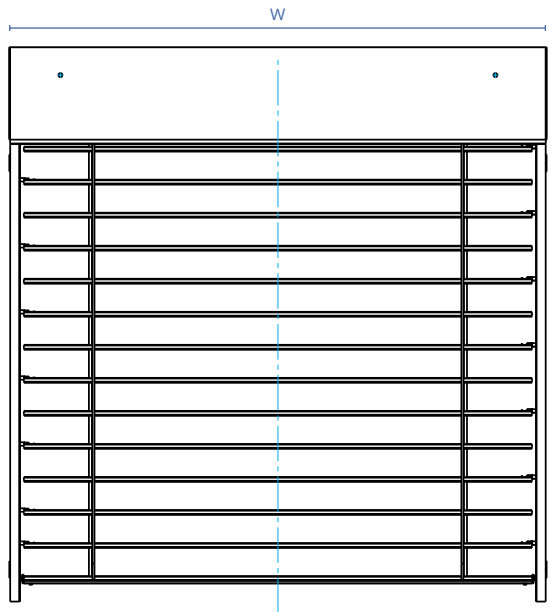
Maximum width of S80 blinds is 400 cm, maximum height of S80 blinds is 300 cm.



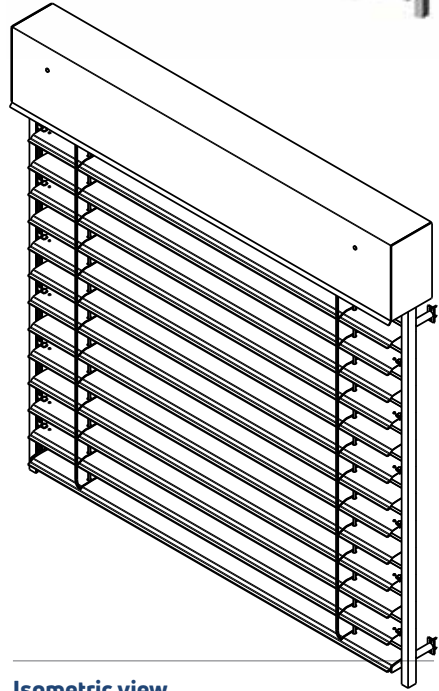
Blinds Type S 80



Section view



Front view

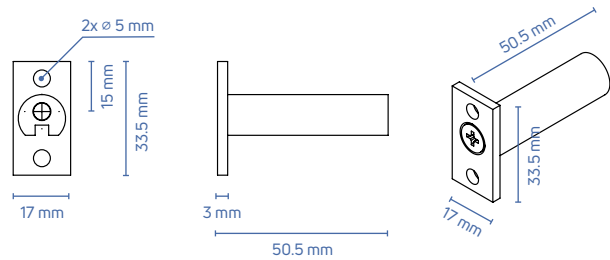


Isometric view

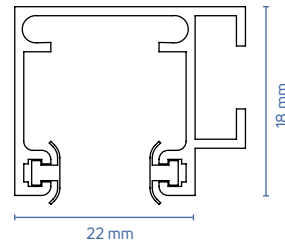
| Blinds height (mm) | Package height (mm) | Cover panel height (mm) |
|--------------------|---------------------|-------------------------|
| 900 | 125 | 140 |
| 900-110 | 135 | 160 |
| 1101-1300 | 145 | 160 |
| 1301-1500 | 160 | 190 |
| 1501-1700 | 165 | 190 |
| 1701-1900 | 180 | 210 |
| 1901-2100 | 190 | 220 |
| 2101-2300 | 195 | 220 |
| 2301-2500 | 205 | 220 |
| 2501-2700 | 215 | 240 |
| 2701-2900 | 225 | 240 |
| 2901-3100 | 235 | 260 |
| 3101-3300 | 245 | 260 |
| 3301-3500 | 255 | 270 |

Aluminium guide rails

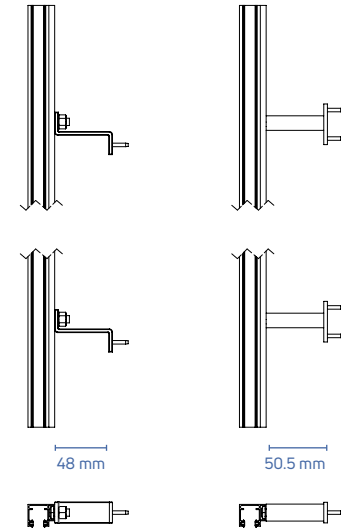
Aluminium guide rails are 18/24 mm in dimensions and are padded with rubber to ensure better and silent movement of slats. Guide rails are mounted on the window frame using spacers.



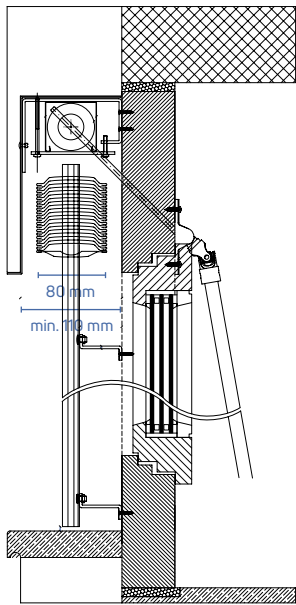
Brackets



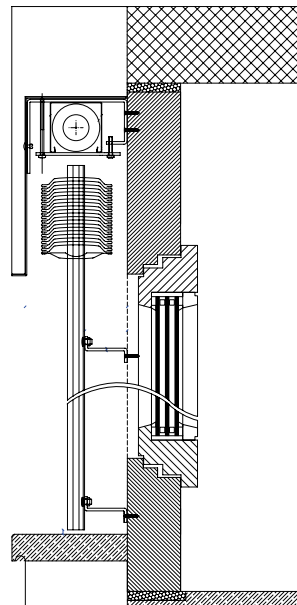
Cross section of guide rail profile



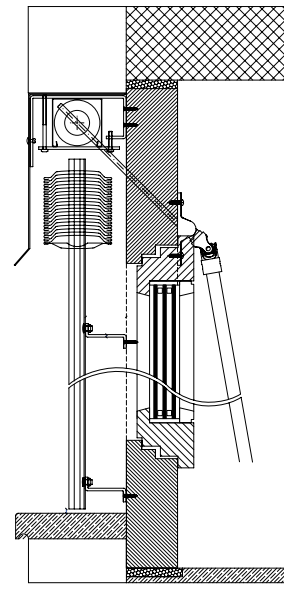
Cross section of guide rails and brackets



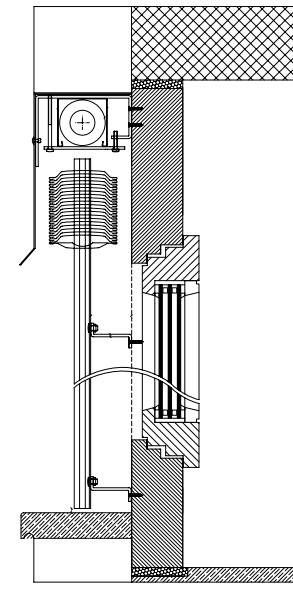
Cross section / Façade integration, manual drive



Cross section / Façade integration, motor drive



Cross section / Cover panel installation, manual drive



Cross section / Cover panel installation, motor drive