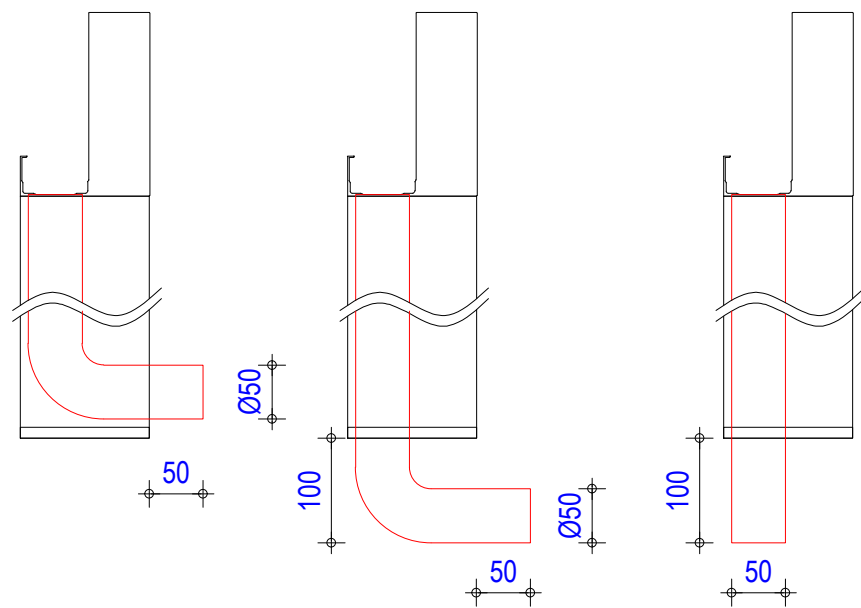
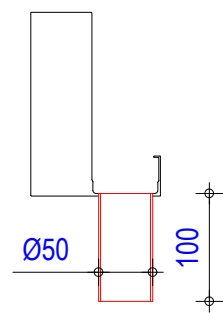


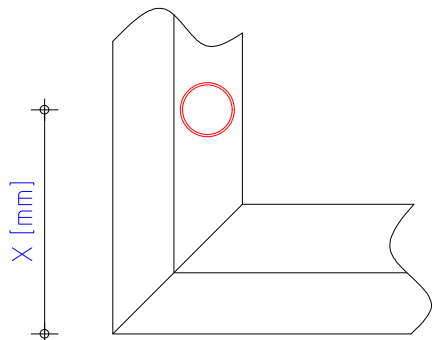
Type H - Horizontal evacuation through beam with ALU tube Ø50 mm



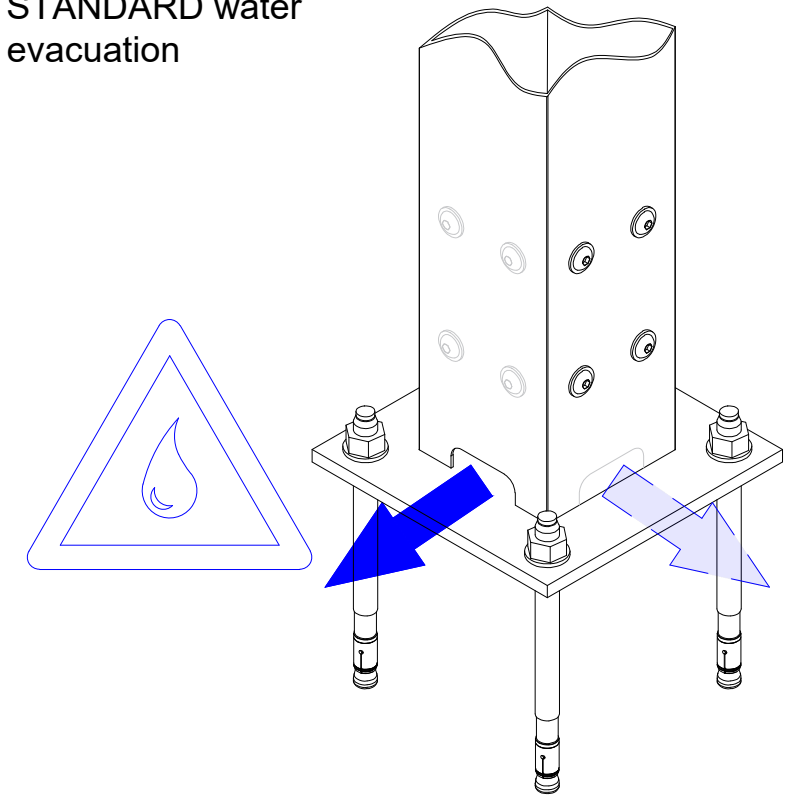
Type P - Horizontal evacuation through beam with PVC tube Ø50 mm



Type V - Vertical evacuation through rain gutter with ALU tube Ø50 mm



STANDARD water evacuation



soltec More light, more life.		Format A3	General tolerances ISO 2768-m EN 1090-2	Scale: 1:5	Mass: —
Soltec d.o.o., Obrtna ulica 9, SI8257 Dobova				Material:	Qua.: PCS
				Surface:	Pos.: NUM
F /	/ /	Made by	Date	Name	Title: Water evacuation
E /	/ /	Model	---		
D /	/ /	Drawing	21/01/2021	U. Trčko	
C /	/ /	Approved	26/01/2021	N. Kristanič	
B /	/ /				
A /	/ /				Project: CarPort
N	Revision	Date	Name		